



ConTempo LED – energy-saving, reliable outdoor lighting solution

ConTempo LED

ConTempo LED is a LED-based floodlighting luminaire for general-purpose area lighting. It delivers significant energy savings compared to conventional floodlights. With a choice of symmetric or asymmetric beam and of color temperature, as well as a universal mounting bracket for easy angle adjustment, flexibility in application is assured. ConTempo LED incorporates LED light sources, optical system, heat sink and drivers in a compact housing. The specially designed heat sink combines aesthetics and functionality that ensures the LEDs have a long lifetime, which means there is no need for lamp replacement after installation. And the protected housing further reduces maintenance cost. Together with the energy savings, this adds up to minimized total cost of ownership.

Benefits

- Replaces conventional floodlights up to 250 W
- Energy savings of more than 30% compared with conventional technology
- No lamp replacement and minimal maintenance needs during lifetime

PHILIPS

Features

- System efficacy of up to 90 lm/W
- Lifetime of 50,000 hours at B50L70
- Painted non-corrosive die-cast aluminum IP65 housing – no need for internal cleaning

- Choice of symmetric or asymmetric beam
- Choice of neutral white or cool white light
- Universal “U” shape mounting bracket

Application

- Public area lighting, e.g. town squares, crossroads
- Outdoor industry area lighting
- Other applications like façade and billboard lighting

Specifications

• Type	BVP260	• Dimming	No
• Light source	Integral LED-module	• Optic	Area optic (asymmetric or symmetric)
• Power	56, 108, 150 W	• Optical cover	Protection glass
• Beam angle	146x100° or 80x30°	• Material	Housing: high-pressure die-cast aluminum, non-corrosive Glass: thermally hardened, 5 mm thick Lens: PMMA Clip: stainless steel Reflective layer: MC-PET
• Luminous flux	5000-13000 lm depending on LED version	• Color	Housing: Grey aluminum (RAL9007)
• Luminaire efficacy	86, 90, 94 lm/W	• Connection	Push-in connector(s) with n poles (default number is 3 poles)
• Correlated Color Temperature	4300 or 6500 K	• Maintenance	Toolless Drag factor (Cx): 1.2 Projected area in horizontal position: 0.176 m ² Max adjustment from the horizontal: -180 to +180°
• Color Rendering Index	75	• Cable gland	1 x M20
• Maintenance of lumen output - L70	50,000 hours at 35° C		
• Driver failure rate	1% per 5000 hours		
• Operating temperature range	-20 to +35° C		
• Driver	Separate (non-self ballasted LED-module)		
• Mains voltage	220-240 V / 50-60 Hz		
• Inrush current	105 A		

Related products



ConTempo LED BVP260 architectural-lighting luminaire



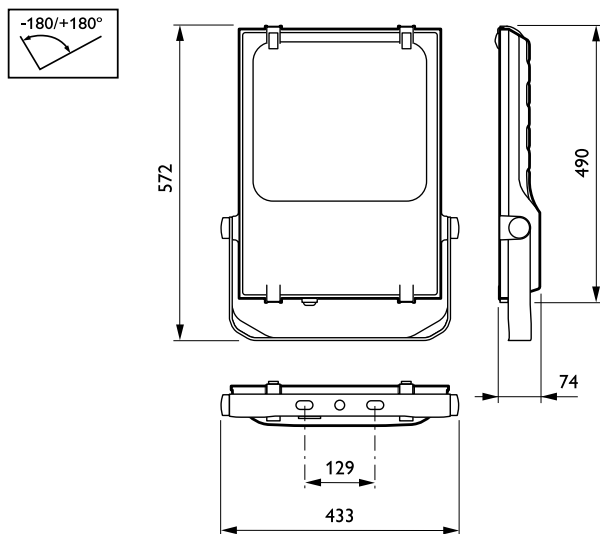
ConTempo LED BVP260 architectural-lighting luminaire

Related products



ConTempo LED BVP260 architectural-lighting luminaire

Dimensional drawing



General Information

order code	Light source color	Lamp family code	Optic type	Product Family Code
911401627201	Cool white	LED102	Asymmetrical	BVP260
911401627301	Cool white	LED102	Symmetrical	BVP260
911401627601	Neutral white	LED97	Asymmetrical	BVP260
911401627701	Neutral white	LED97	Symmetrical	BVP260
911401627401	Cool white	LED53	Asymmetrical	BVP260
911401627501	Cool white	LED53	Symmetrical	BVP260

order code	Light source color	Lamp family code	Optic type	Product Family Code
911401627801	Neutral white	LED50	Asymmetrical	BVP260
911401627901	Neutral white	LED50	Symmetrical	BVP260
911401628101	Neutral white	LED130	Symmetrical	BVP260



© 2015 Philips Lighting Holding B.V.
All rights reserved.

Specifications are subject to change without notice. Trademarks are the property of Koninklijke Philips N.V. (Royal Philips) or their respective owners.

www.philips.com/lighting

2015, December 24
data subject to change